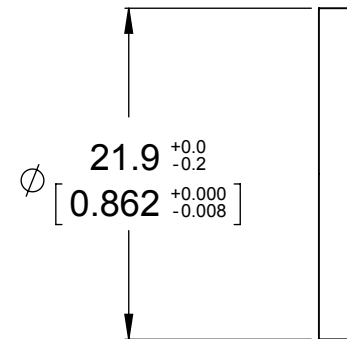
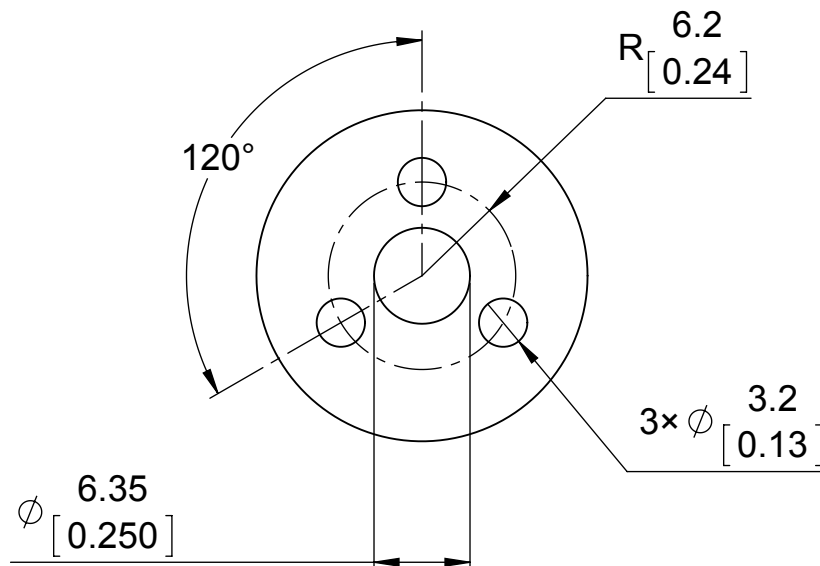
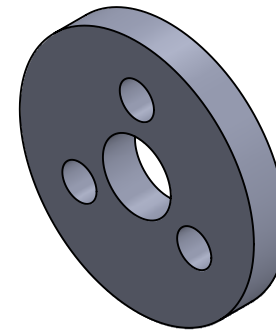
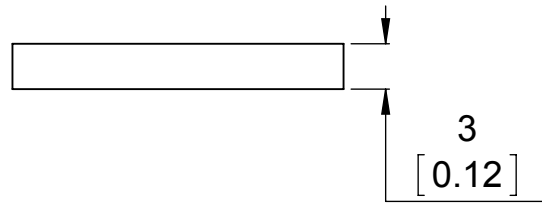


1. To get the specified scale, select 100% in print settings.

Scale: 2:1

http://www.pololu.com/product/2675		
Name: Pololu Aluminum Scooter Wheel Adapter for 1/4" Shaft		Item number: 2675
Drawing date: 01 Dec 2014	Part dev code: dwa01e	 Pololu Robotics & Electronics © 2014 Pololu Corporation
Units: mm [in]	Material: aluminum	



<http://www.pololu.com/product/2675>

Name: Pololu Aluminum Scooter Wheel Adapter for 1/4" Shaft

Item number:
2675

Drawing date:
01 Jul 2014

Part dev code:
dwa01b

Units: mm
[in]

Material:
aluminum


© 2014 Pololu Corporation

1. To get the specified scale, select 100% in print settings.

Scale: 2:1