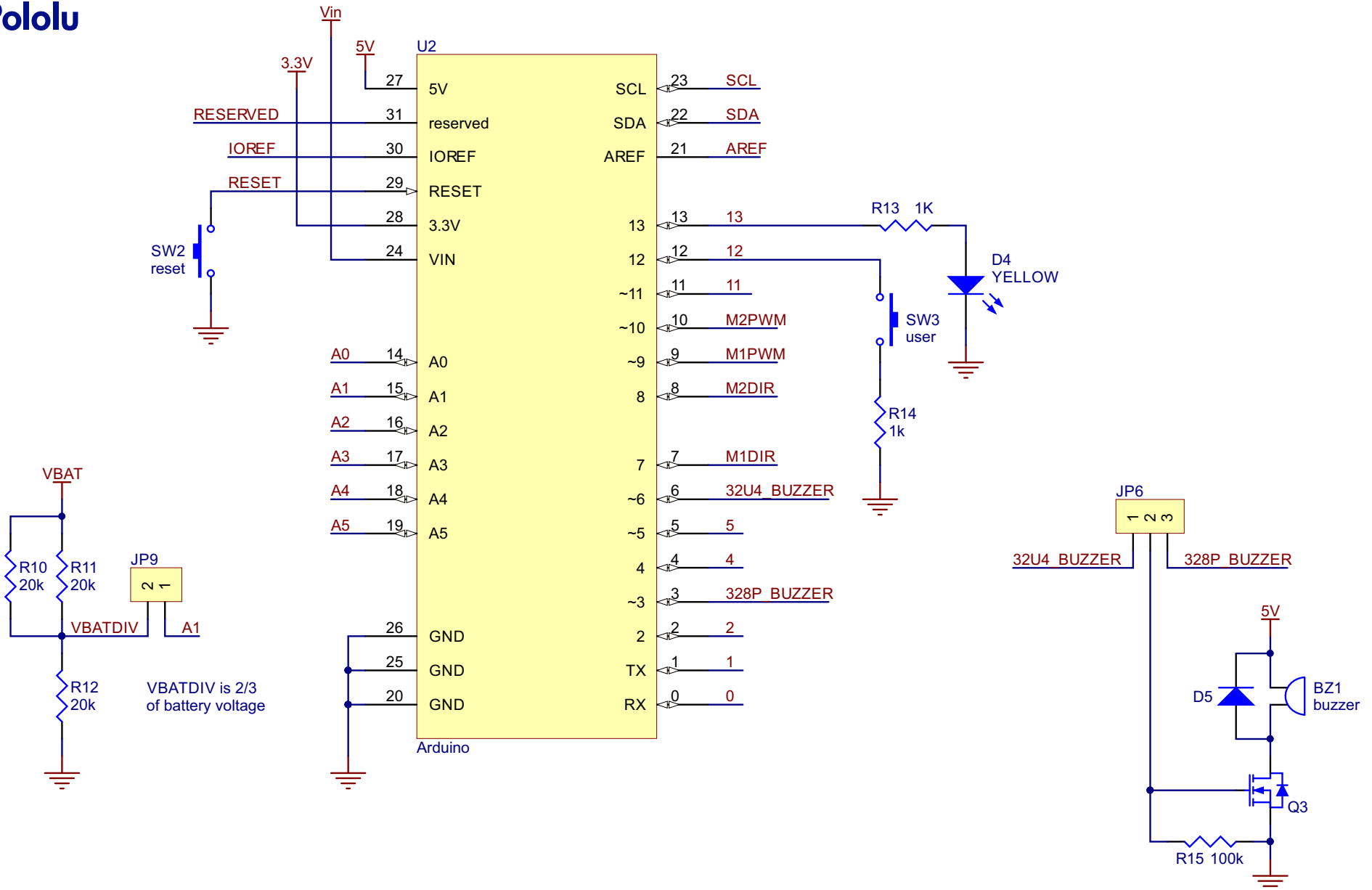




# Pololu Zumo Shield for Arduino, v1.2

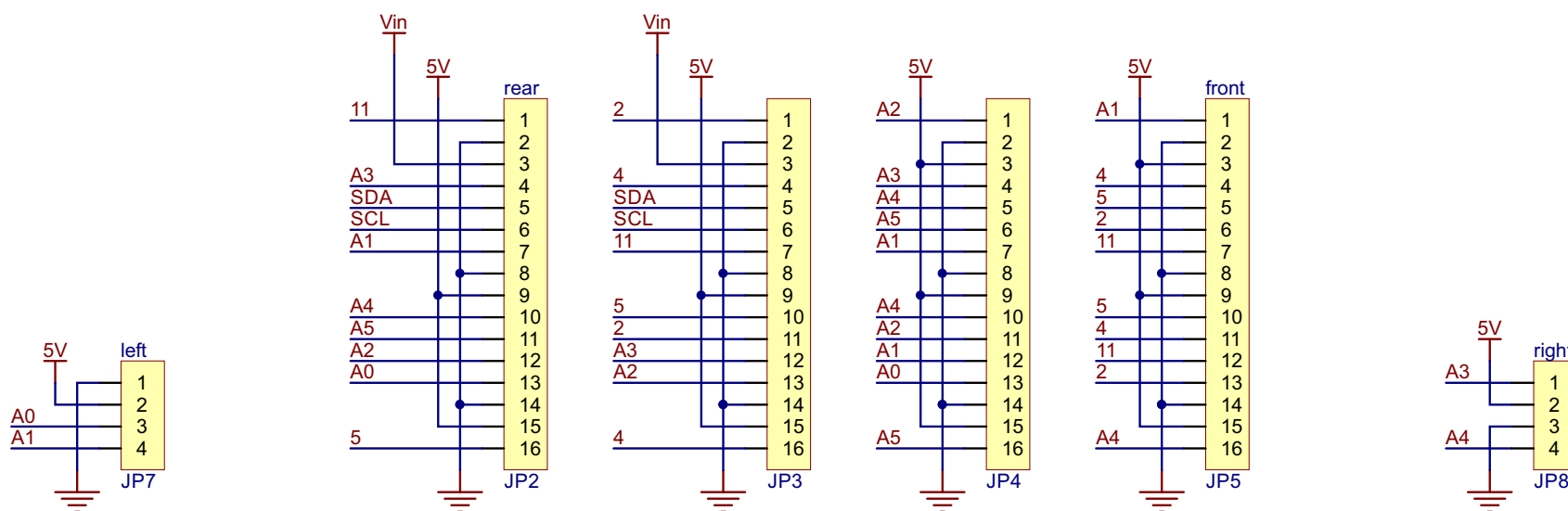
## Schematic Diagram Primary Arduino connections





# Pololu Zumo Shield for Arduino, v1.2

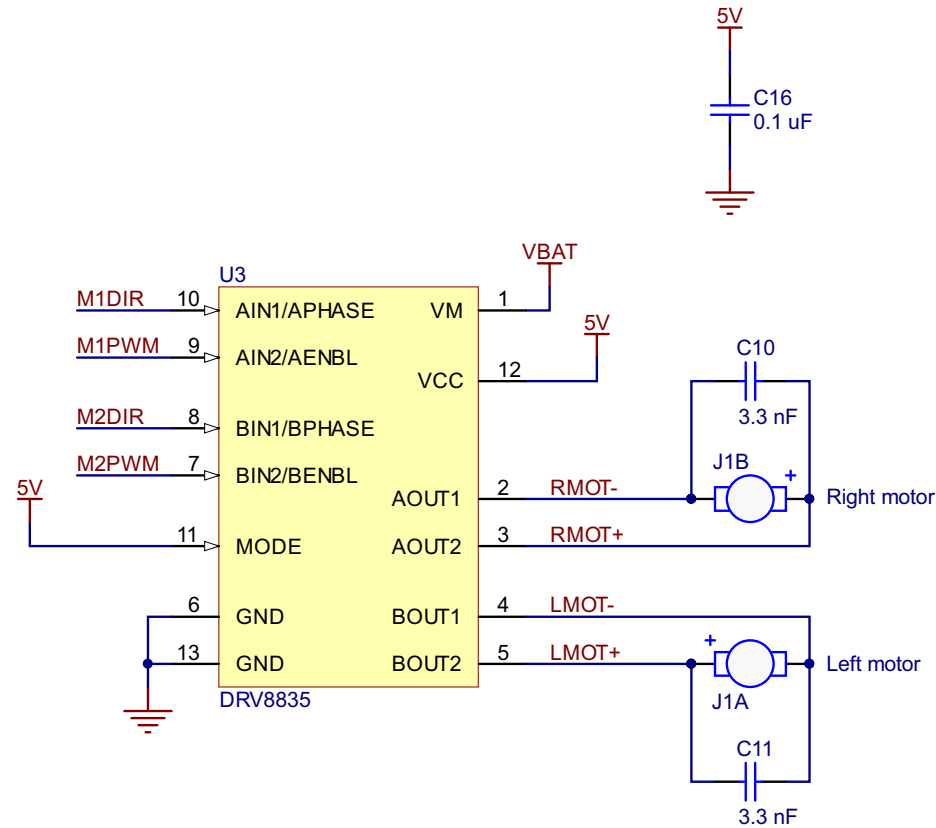
## Schematic Diagram I/O expansion connections





# Pololu Zumo Shield for Arduino, v1.2

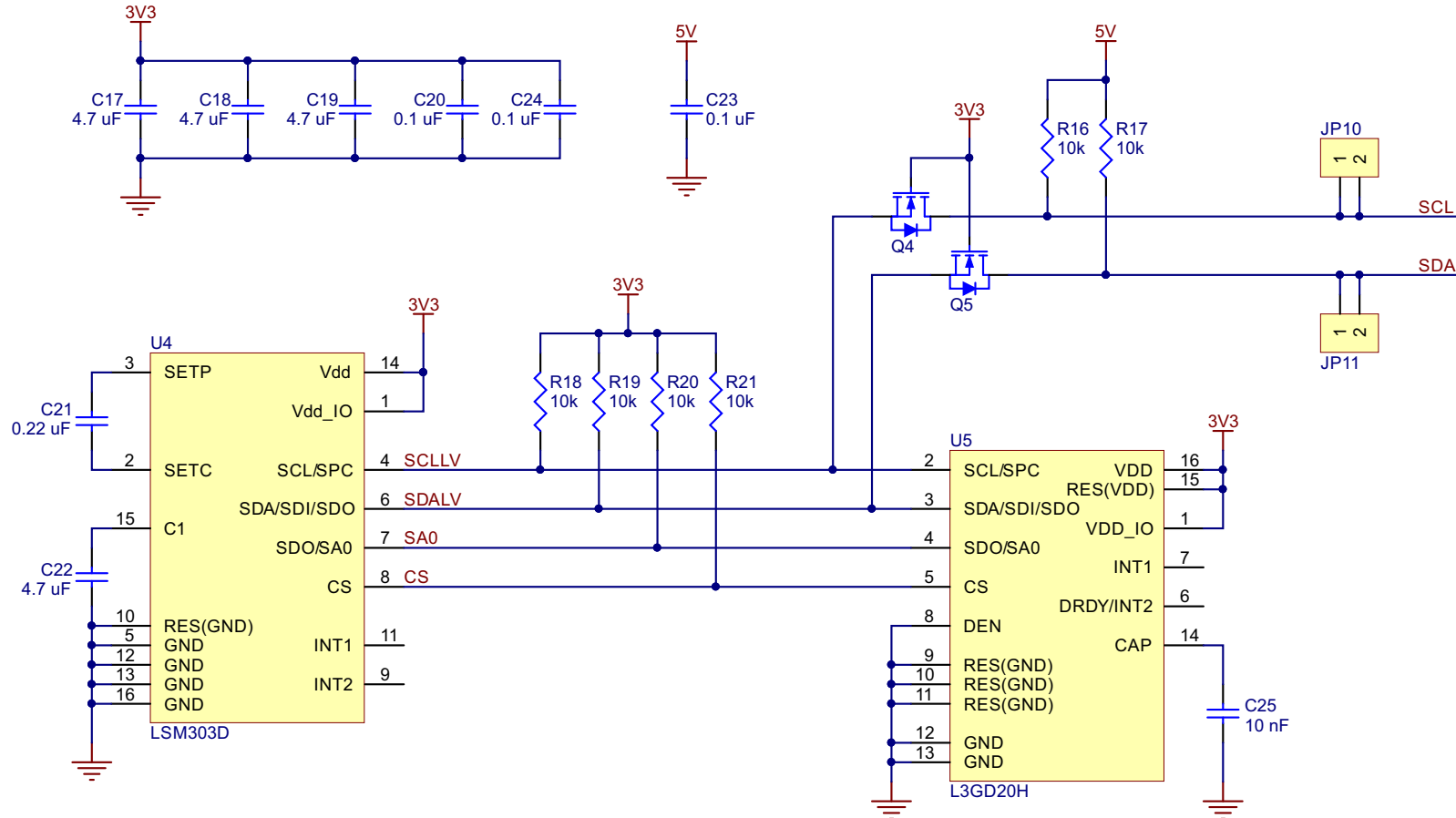
## Schematic Diagram Motor driver





# Pololu Zumo Shield for Arduino, v1.2

## Schematic Diagram Inertial sensors (3-axis accelerometer, magnetometer, and gyro)





# Pololu Zumo Shield for Arduino, v1.2

## Schematic Diagram Main power and boost regulator

