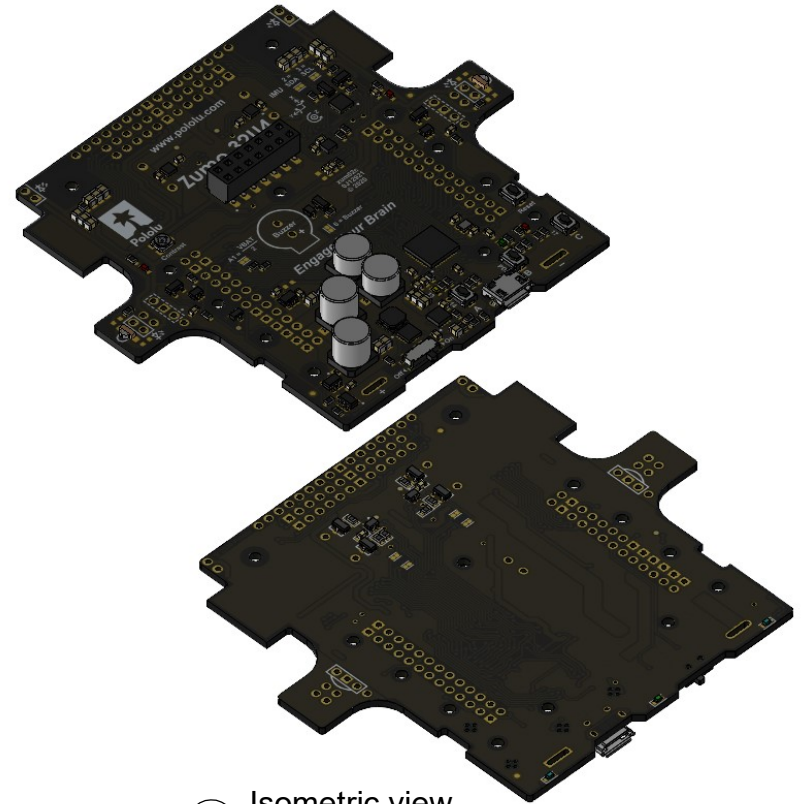
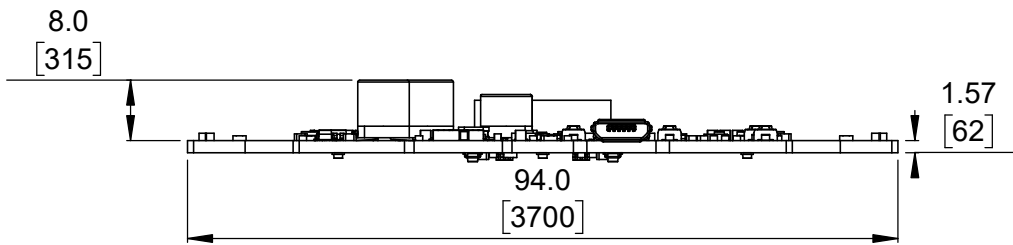


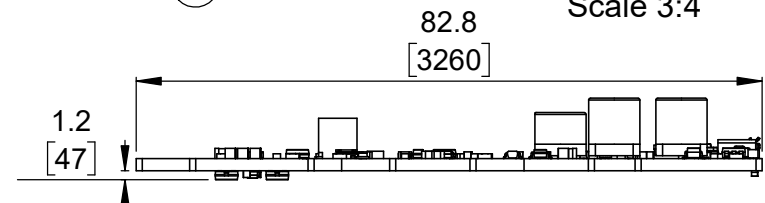
① Top view (actual size)
Scale 1:1



② Isometric view
Scale 3:4



③ Long profile
Scale 1:1

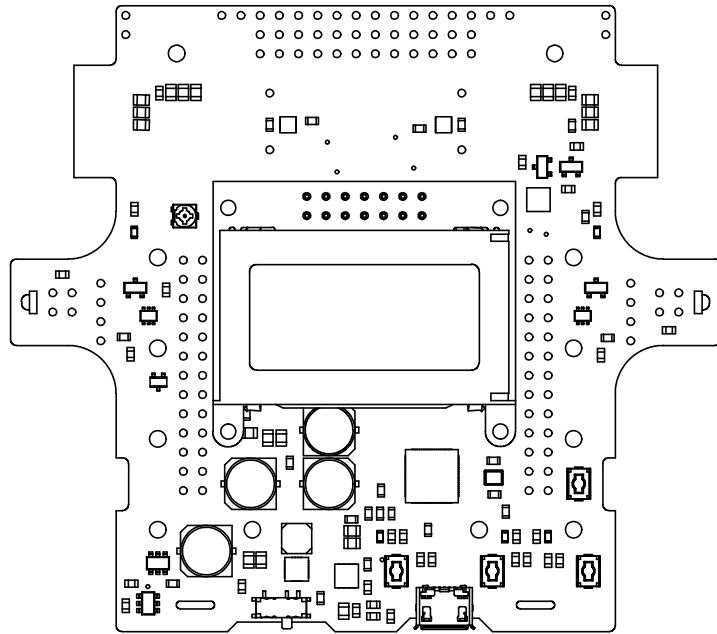


④ Short profile
Scale 1:1

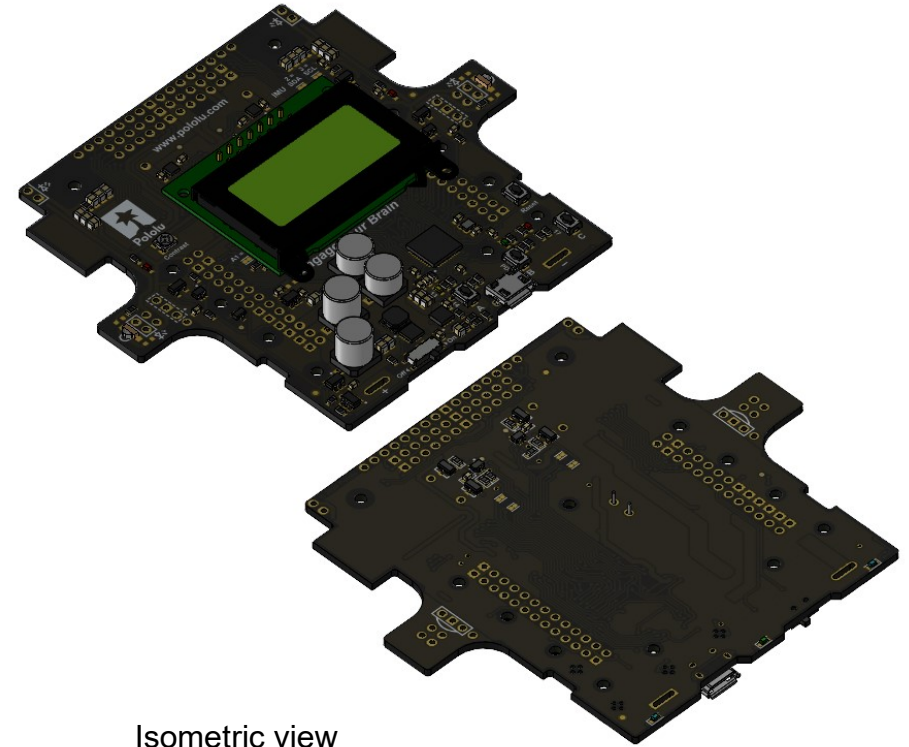
1. To get the specified scale, select 100% in print settings.
2. Drill location tolerance: ± 0.1 [± 5].
3. Board edge tolerance: ± 0.3 [± 10].

<https://www.pololu.com/product/3144>

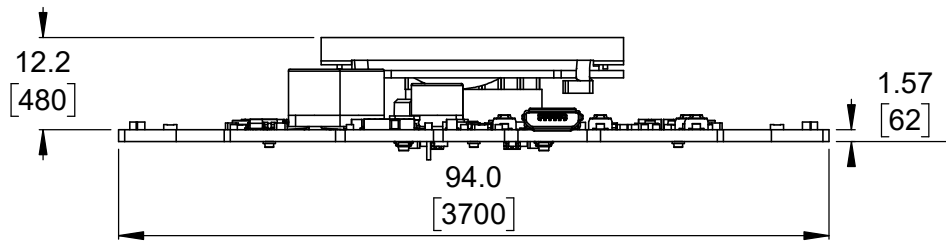
Name: Zumo 32U4 Main Board v1.1		Item number: 3144
Drawing date: 10 September 2020	Dev code: zum02c	 © 2020 Pololu Corporation
Units: mm [mil]	Material: mixed	



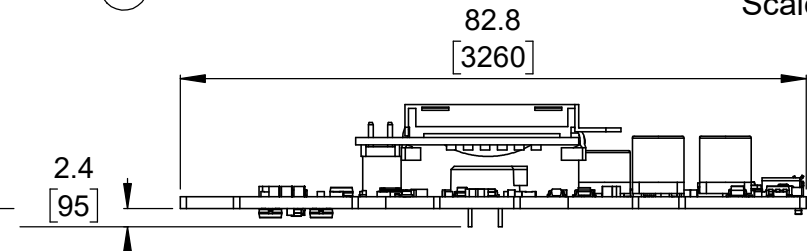
① Top view (actual size)
(with optional through-hole components and LCD)
Scale 1:1



② Isometric view
(with optional through-hole components and LCD)
Scale 3:4



③ Long profile
(with optional through-hole components and LCD)
Scale 1:1



④ Short profile
(with optional through-hole components and LCD)
Scale 1:1

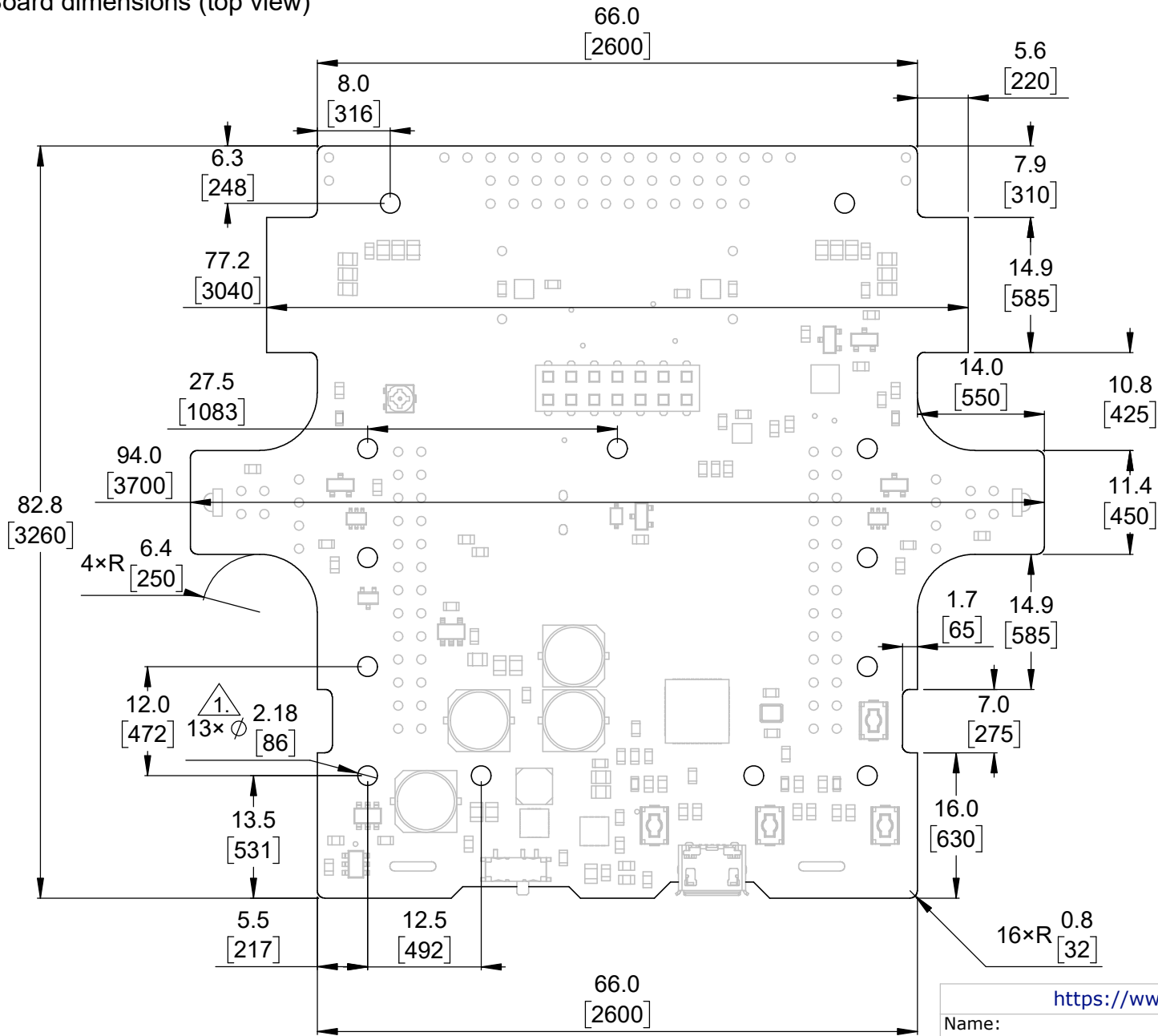
1. To get the specified scale, select 100% in print settings.
2. Drill location tolerance: ± 0.1 [± 5].
3. Board edge tolerance: ± 0.3 [± 10].

<https://www.pololu.com/product/3144>

Name: Zumo 32U4 Main Board v1.1		Item number: 3144	
Drawing date: 10 September 2020		Dev code: zum02c	
Units: mm [mil]		Material: mixed	



Board dimensions (top view)



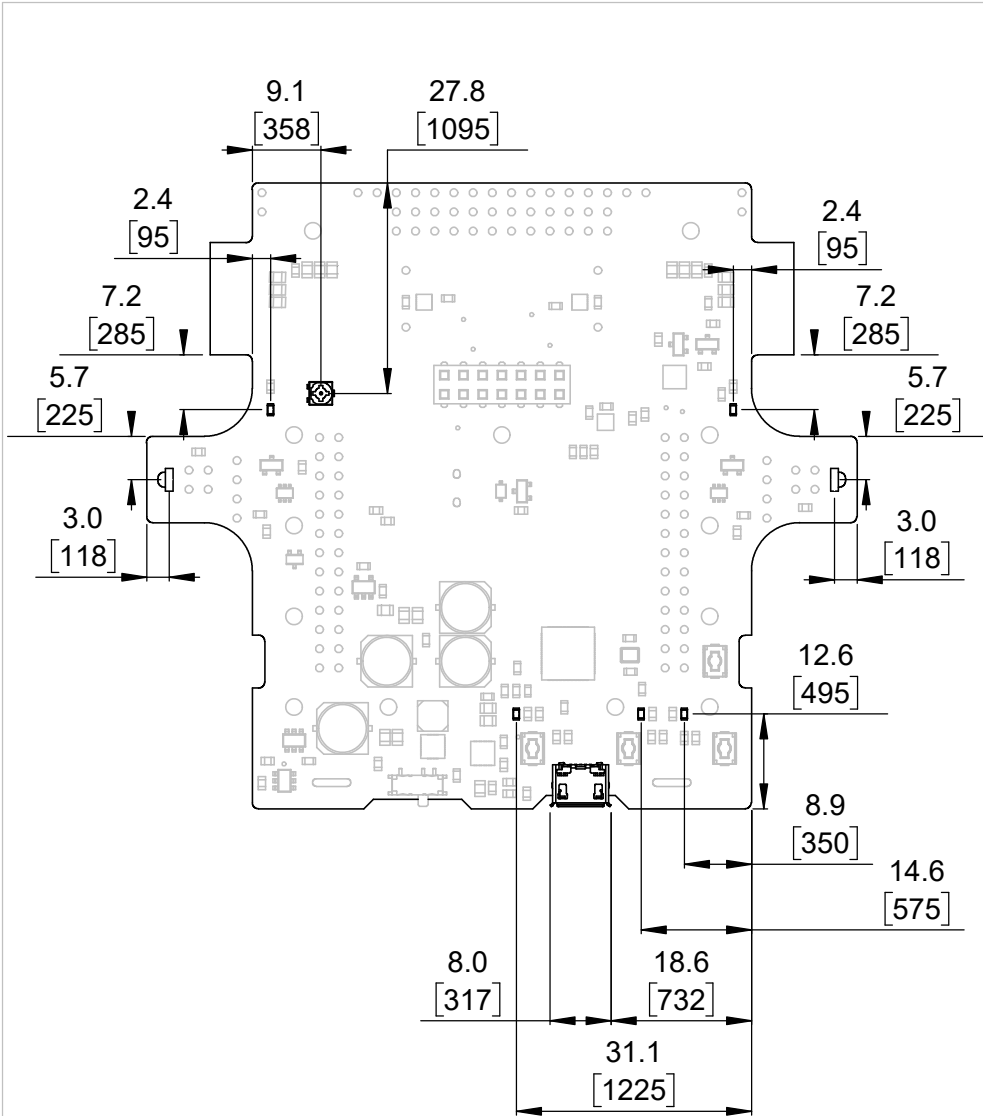
1. Intended for #2 and M2 screws.
2. To get the specified scale, select 100% in print settings.
3. Drill location tolerance: ± 0.1 [± 5].
4. Board edge tolerance: ± 0.3 [± 10].

Scale 3:2

<https://www.pololu.com/product/3144>

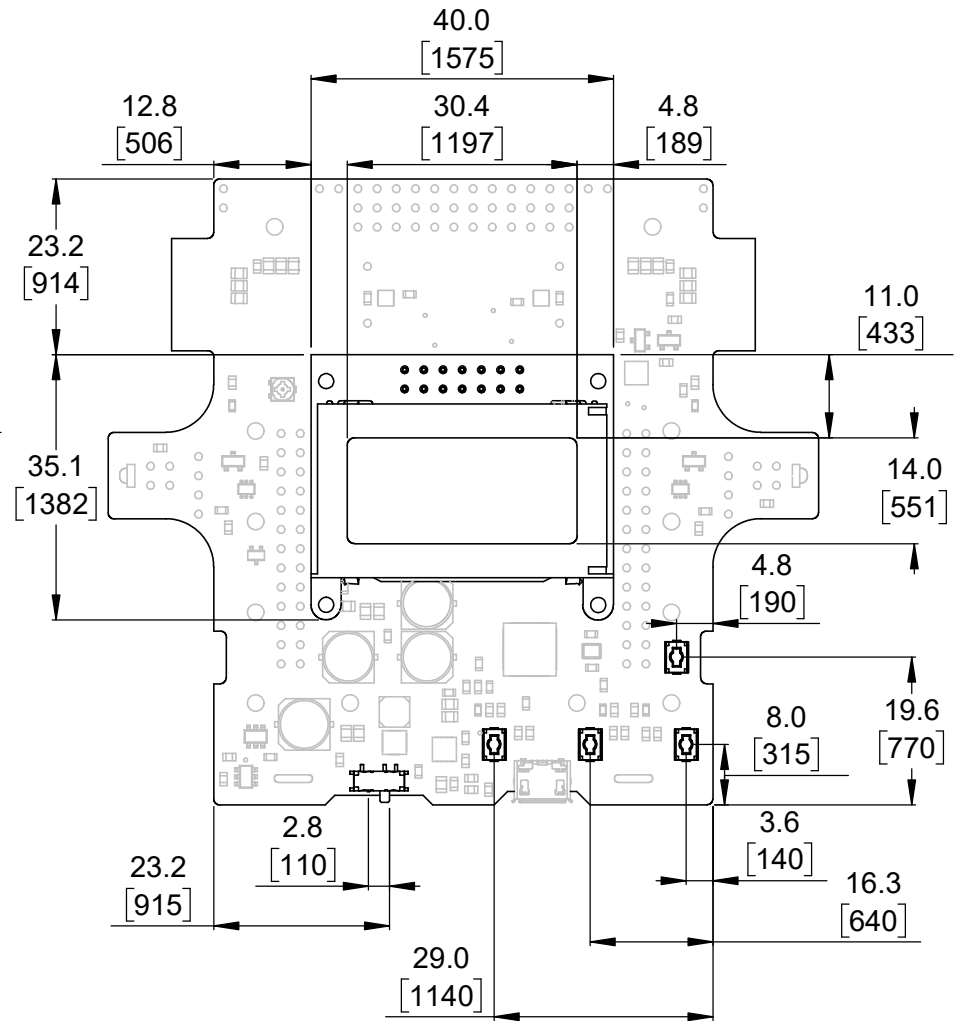
Name: Zumo 32U4 Main Board v1.1		Item number: 3144	
Drawing date: 10 September 2020		Dev code: zum02c	
Units: mm [mil]		Material: mixed	

Pololu
Robotics & Electronics
© 2020 Pololu Corporation



① User interface elements

Scale 1:1




② User interface elements (view with LCD)

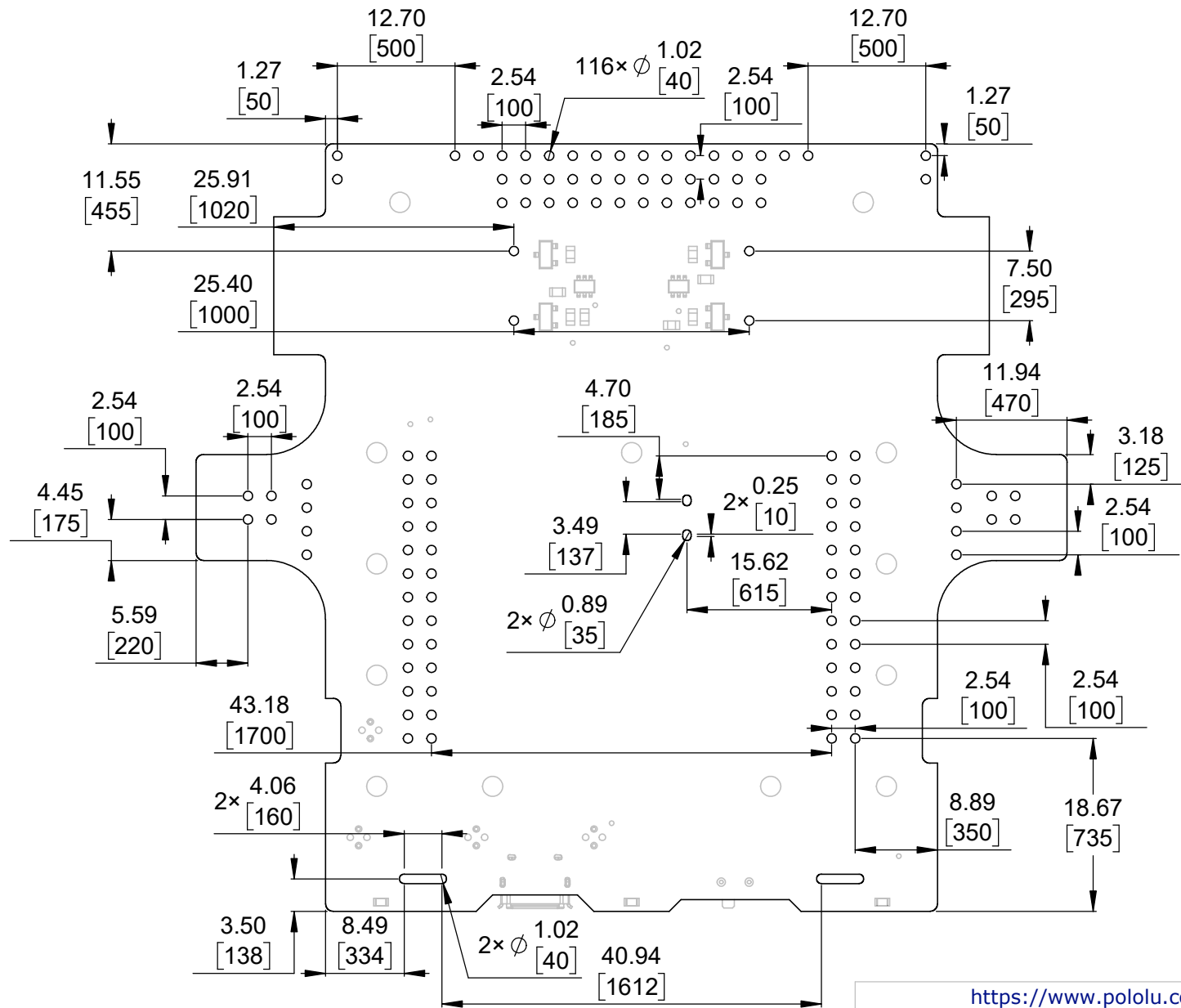
Scale 1:1

1. To get the specified scale, select 100% in print settings.
2. Drill location tolerance: ± 0.1 [± 5].
3. Board edge tolerance: ± 0.3 [± 10].

<https://www.pololu.com/product/3144>

Name: Zumo 32U4 Main Board v1.1		Item number: 3144
Drawing date: 10 September 2020	Dev code: zum02c	 © 2020 Pololu Corporation
Units: mm [mil]	Material: mixed	

Connector callouts (bottom view)



1. To get the specified scale, select 100% in print settings.
2. Drill location tolerance: ± 0.1 [± 5].
3. Board edge tolerance: ± 0.3 [± 10].

Scale 3:2

<https://www.pololu.com/product/3144>

Name: Zumo 32U4 Main Board v1.1		Item number: 3144	
Drawing date: 10 September 2020		Dev code: zum02c	
Units: mm [mil]	Material: mixed		

