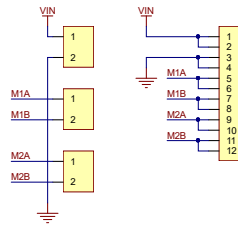
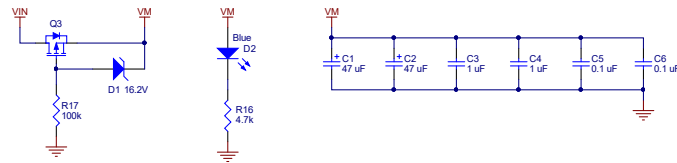


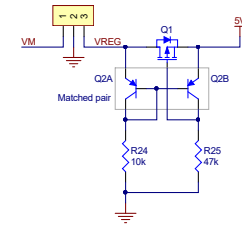
Power and motor connections



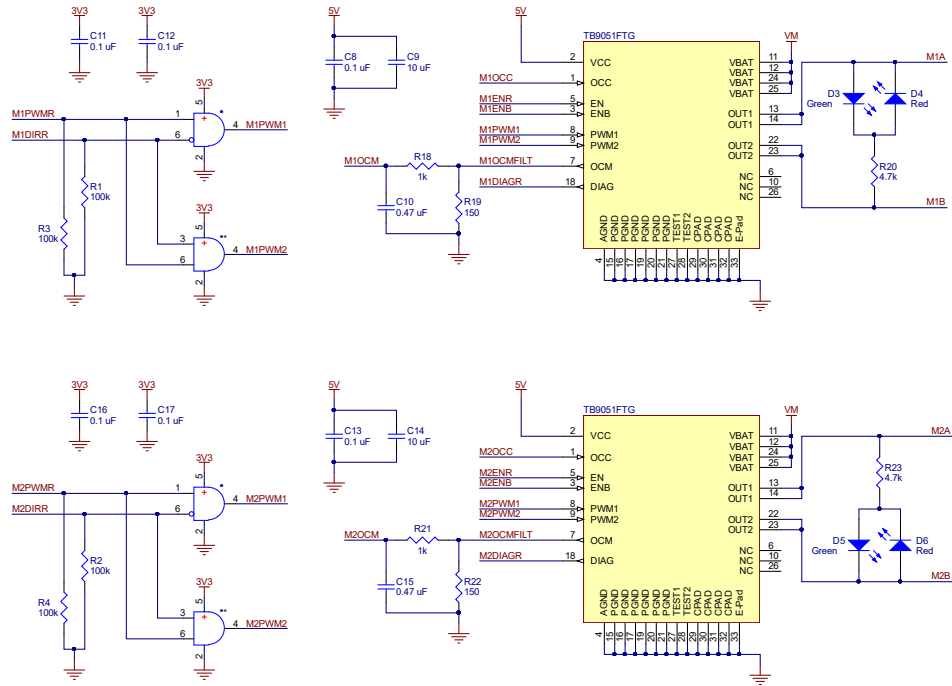
Power circuit



5V regulator connector and ideal diode circuit

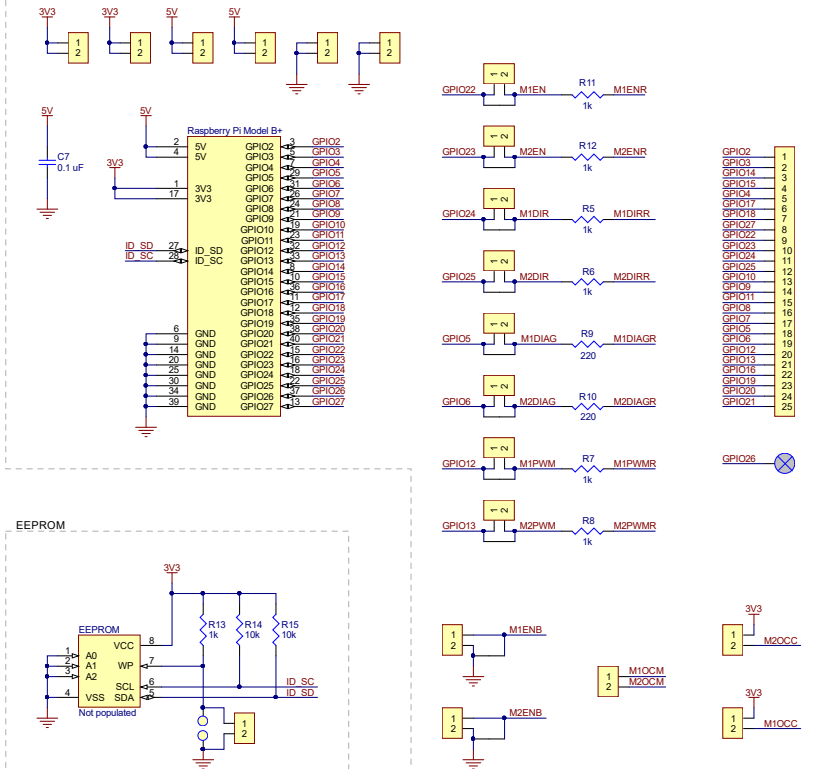


Motor drivers



*Implemented as 74LVC1G97 multi-function gate with pin 3 tied to GND
**Implemented as 74LVC1G97 multi-function gate with pin 1 tied to GND

I/O connections



EEPROM

