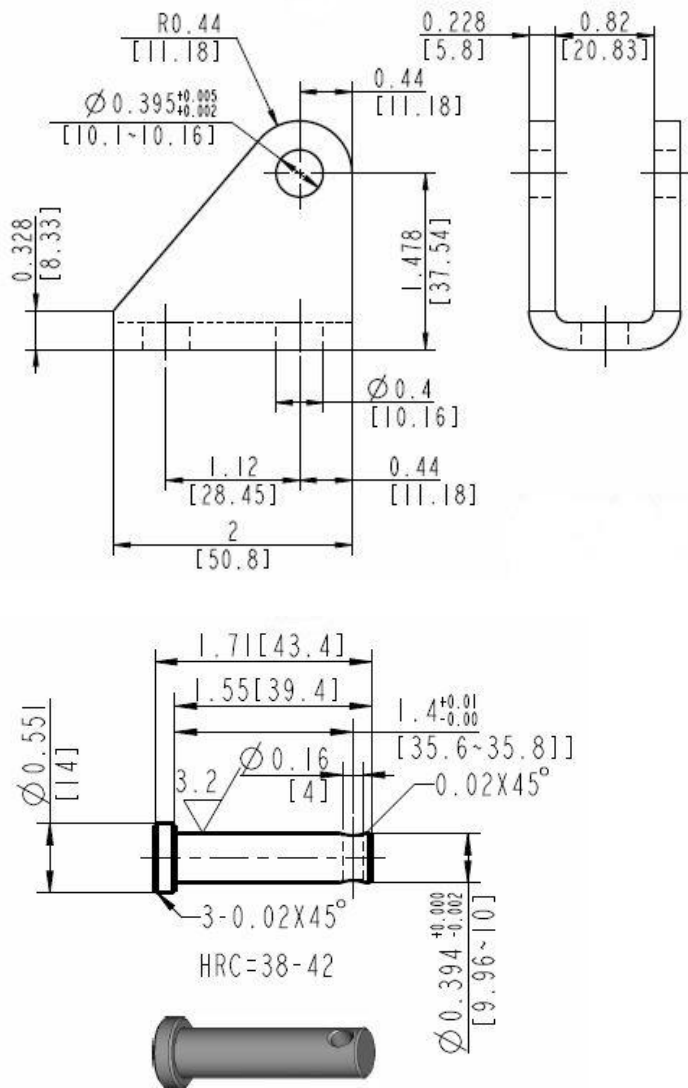


Product Data Sheet

# Medium Duty Steel Bracket

for the medium duty series actuators



Part Number: LA-MD-BRKT-S  
(zinc plated)



This bracket is tested to 1,265 lbs., which is 125% of the highest static load that Concentric International's Medium Duty line of actuators are rated for.

## Terms of Use

The user is responsible for determining the suitability of Concentric International products for specific applications. Due to continuous development in order to improve its products, Concentric International products are subject to change without prior notice. Concentric International reserves the right to discontinue the sale of any products at any time.